

0) ETHICS

- TRUTH
- HAPPINESS
- WRONG

$EV = KC_F^2$ $K = 1 \pm 0.25$

+ CONSTR. STRUCT.
OPT. SYS.
CONT. DATA.

1) BASE REQUIREMENTS

- FOOD
- SLEEP
- EXERCISE

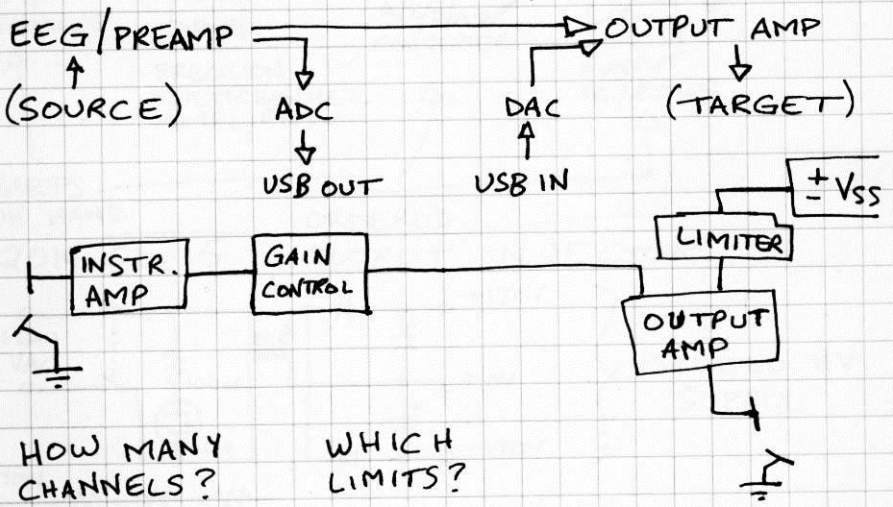
(TIME COSTS)

2) OBJECTIVES (CONTINUOUS / DISCRETE)

→ TMO

≡≡≡

[TELEPATHY MACHINE 01]



HOW MANY CHANNELS?

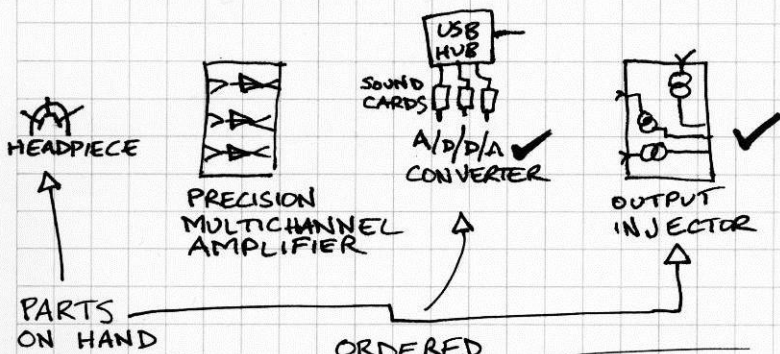
WHICH LIMITS?

HOW MANY CHANNELS DOES A TYPICAL EEG HAVE?

PHYSICAL STRUCTURE?

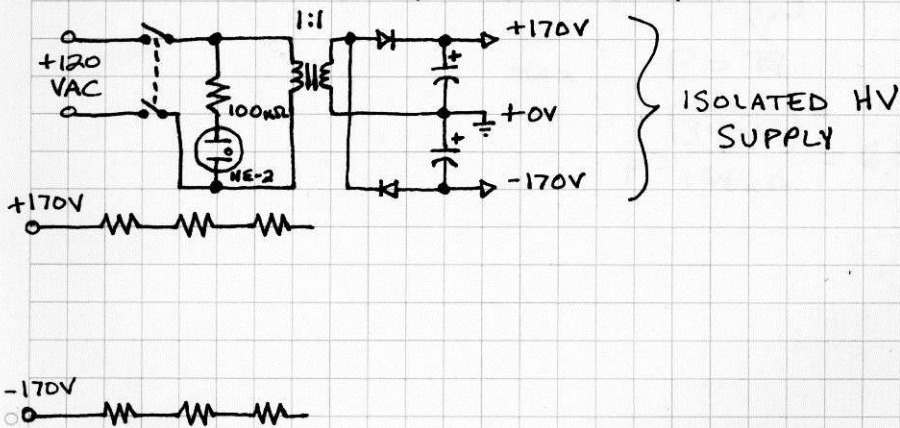
2014-01-09

TMO1 COMPONENTS

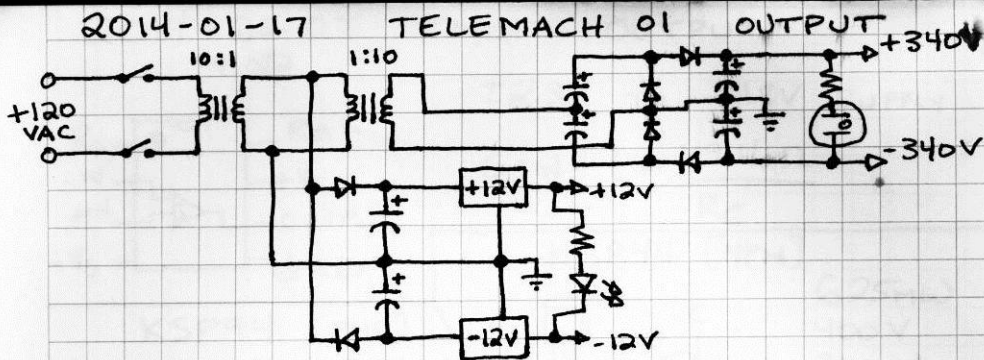


2014-01-15

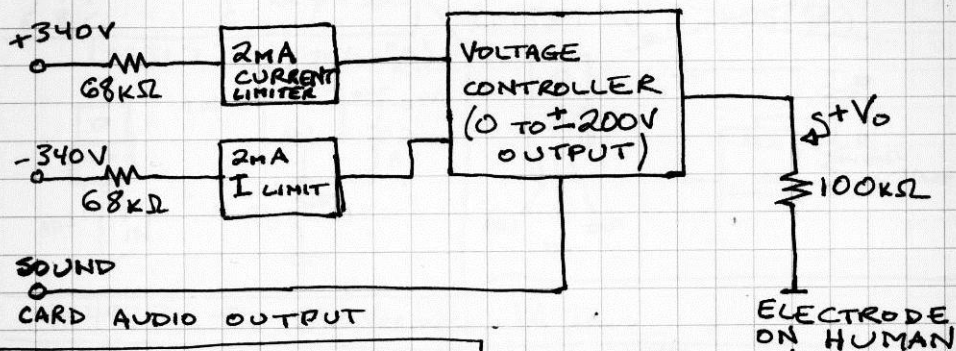
OUTPUT INJECTOR



-170V



$$R_{\text{HUMAN}} = 20 \pm 17 \text{ k}\Omega$$



WITH OUTPUT SET TO MAX,

$$I_{\text{HUMAN}}^{\text{MAX}} = \frac{200 \text{ V}}{103 \times 10^3 \Omega} = 1.94 \mu\text{A}$$

$$I_{\text{HUMAN}}^{\text{MIN}} = \frac{200 \text{ V}}{137 \times 10^3 \Omega} = 1.46 \mu\text{A}$$

10 x 1/2w RESISTORS = 5w MAX.

$$P = \frac{V^2}{R}$$

$$P = \frac{(340 \text{ V})^2}{168 \text{ k}\Omega} = 688 \text{ mW}$$